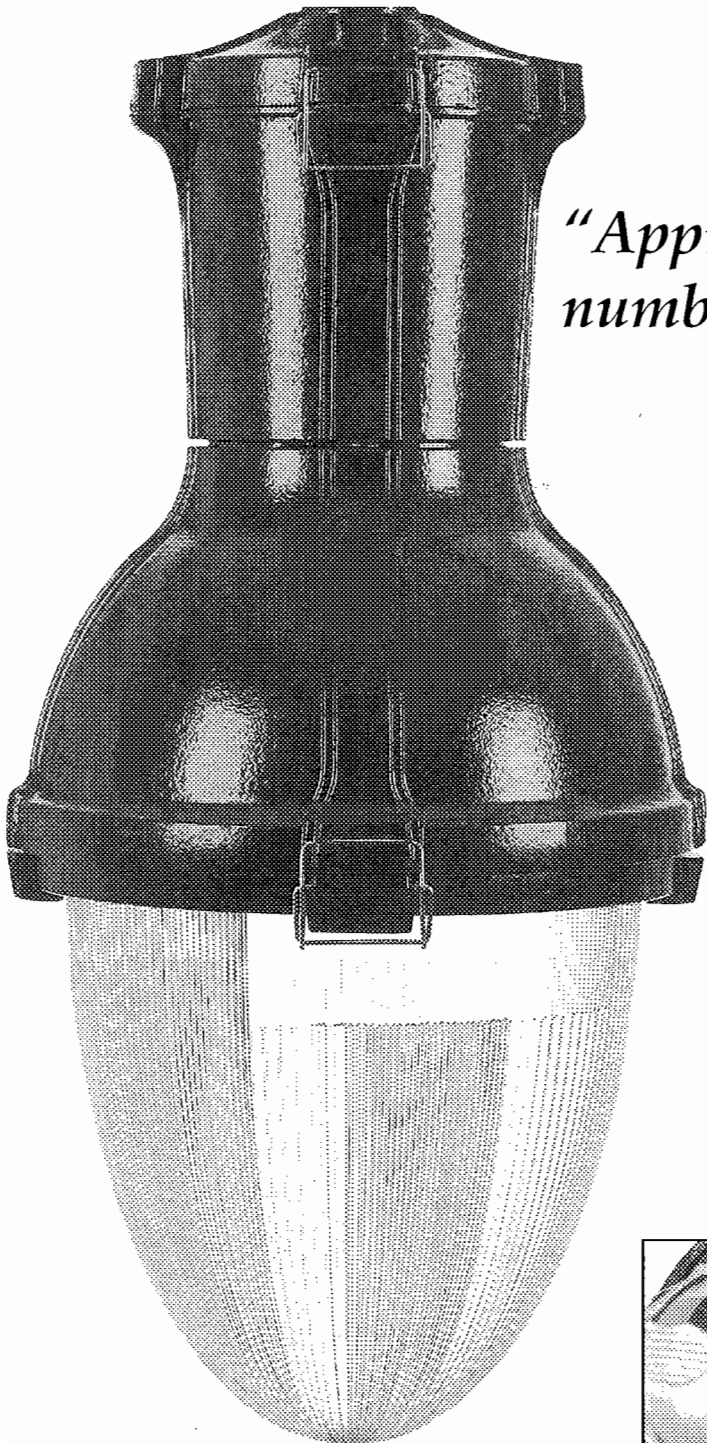


Pendant Series

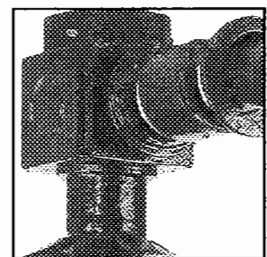
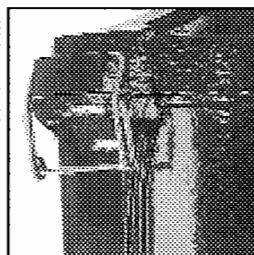
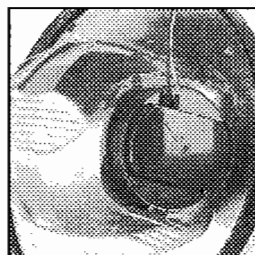


Columbia Senior Luminaire

“Approved Standard” for a number of major municipalities



- ◆ Complete Tool-less Entry
- ◆ Improved Distribution & Efficiency
- ◆ Sealed Optical System (IP65 Rated)
- ◆ Capable of 400 watt Lamping
- ◆ Horizontal Lamp Position





SPRING CITY ELECTRICAL MFG. CO., INC.

Hall & Main Streets, P. O. Box 19

Spring City, PA 19475-0019

Phone: 610-948-4000 Fax: 610-948-5577

Website: www.springcity.com

Design and Construction

Finial Options:

The luminaire holder is available in a variety of options; a simple twist lock photocontrol (as shown), a twist lock photocontrol with a decorative cast housing and finial or a variety of ornamental cast finials.

Mounting:

Welded construction between the cast luminaire holder and ballast housing to eliminate the potential for water intrusion into the ballast compartment.

Ballast Access:

Tool-less entry is achieved using quick release stainless steel latches.

Arm Attachment:

Adjustable leveling of the luminaire is achieved through access from above the unit. A full 10 degrees of leveling can be achieved to ensure the fixture is perpendicular to the roadway. Leveling pads cast integrally onto the luminaire holder are designed to be used with a 6" torpedo level.

Arm Attachment Security:

A fail safe stainless steel bolt is designed as a shear pin to permanently lock the luminaire holder to the arm.

Ballast Removal:

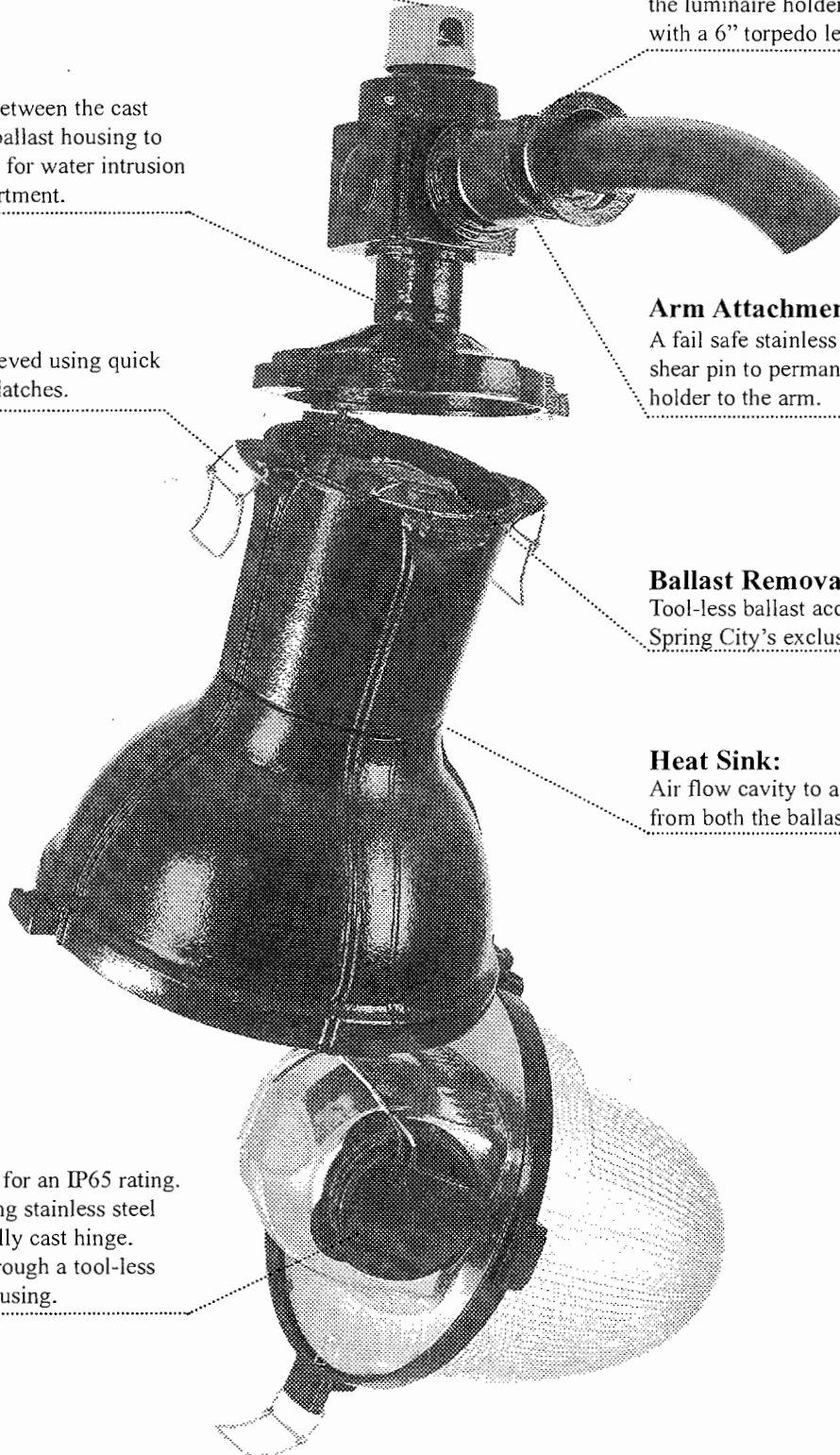
Tool-less ballast access is achieved through Spring City's exclusive "S-Lock" system.

Heat Sink:

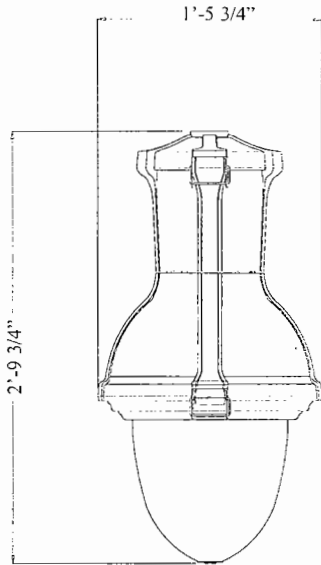
Air flow cavity to allow heat to dissipate from both the ballast and lamp compartments.

Optical System:

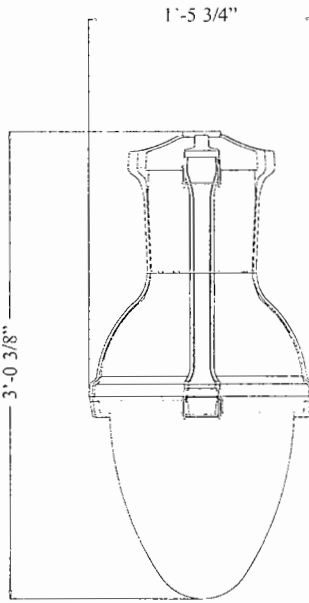
Sealed optical system for an IP65 rating. Tool-less entry utilizing stainless steel latches and an integrally cast hinge. Relamping is done through a tool-less quarter turn socket housing.



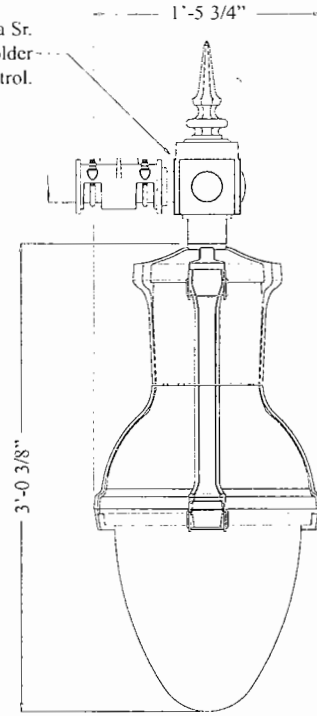
Luminaire shown with optional Columbia Sr. Hang Straight / Luminaire Holder. Note holder available with twist lock photo control.



LMCLH-MH250/SV1/SM-PLN3-LLR-BG



LMCLH-MH250/SV1/SM-PLC3-HN3-BG



LMCLH-HP400/QV7/SM-PLC3-HN3-CB

Ordering Guide	Material	Product	Style	- Source Wattage	/ Ballast	Voltage	/ Socket	- Globe	- Refractors / Reflectors	- Coatings
	A	LM	CLH	- MH400	/ Q	V1	/ SM	- PLC3	- LLR	- CB
	Aluminum Luminaire Columbia Sr - 400 Watt Metal Halide/ Quadravolt 120 Volts /Mogul base -Poly Ref 140 Type III - HN3 Reflector - Classic Black Finish									

Material Product Style-

___ ALMCLH- Cast Aluminum Luminaire Columbia Sr

Source

___ HP (High Pressure Sodium) ___ IN (Incandescent) ___ ID (Induction)
 ___ MH (Metal Halide) ___ MV (Mercury Vapor) ___ XX (Modifier)
 ___ CP (Compact Fluorescent) ___ LP (Low Pressure Sodium)

Wattage

___ 028/ (28 Watts) ___ 032/ (32 Watts) ___ 035/ (35 Watts)
 ___ 042/ (42 Watts) ___ 050/ (50 Watts) ___ 070/ (70 Watts)
 ___ 075/ (75 Watts) ___ 100/ (100 Watts) ___ 150/ (150 Watts)
 ___ 175/ (175 Watts) ___ 200/ (200 Watts) ___ 250/ (250 Watts)
 ___ 400/ (400 Watts)

Ballast Type

___ S Single Voltage ___ D Dual Voltage 120/240
 ___ T Two Voltage 120/277 ___ Q 120/208/240/277 Quad Voltage

Voltage

___ V1/ 120 Volts ___ V8/ 208 Volts ___ V2/ 240 Volts
 ___ V7/ 277 Volts ___ V4/ 480 Volts ___ VO/ Unwired

Sockets

___ SD- Medium Base ___ SM- Mogul Base
 ___ SF- Fluorescent ___ SB- Bi Pin

Globes

___ PLN3- Polycarbonate Refractive 120 Type III ___ YLN3- Acrylic Refractive 120 Type III
 ___ PLN5- Polycarbonate Refractive 120 Type V ___ YLC3- Acrylic Refractive 140 Type III
 ___ PLN5- Polycarbonate Refractive 120 Type V ___ YLC3- Acrylic Refractive 140 Type III

Refractor / Reflectors

___ HN3- Horizontal Non-cutoff/III (for use in PLC3 - 140 globe only)
 ___ LLR- LL3 Reflector (for use in PLN3/5 - 120 globe only)
 ___ HSF- House Side Shield Flat
 ___ HSC- House Side Shield Curved
 ___ XXX- Modifier

Modifications

___ CL- Ceiling Mount/Chain ___ CP- Ceiling Mount/Pendent
 ___ BT- Button type photo control

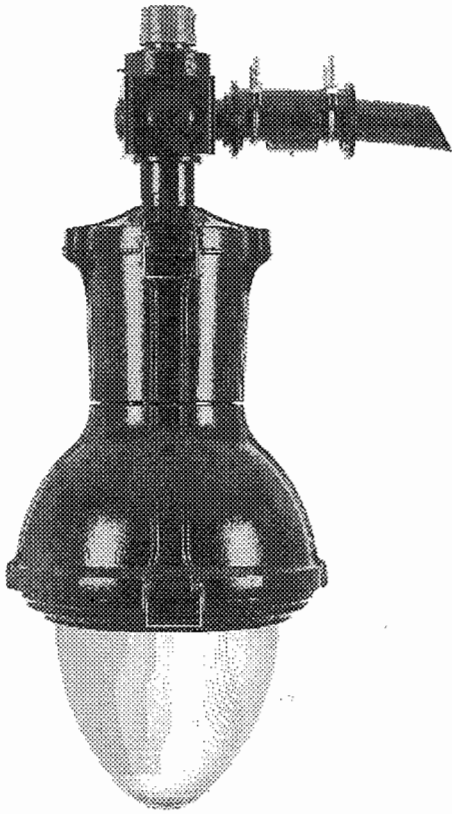
Coatings

___ UF Unfinished ___ PO Prime Painted only
 ___ CB Classic Black Finish ___ BG Bottle Green Finish
 ___ DB Dark Bronze Finish ___ GI Grey Iron Finish
 ___ LB Long Beach Blue Finish ___ VG Verde Green Finish
 ___ CU Custom Powder Finish ___ CW Custom Wet Finish



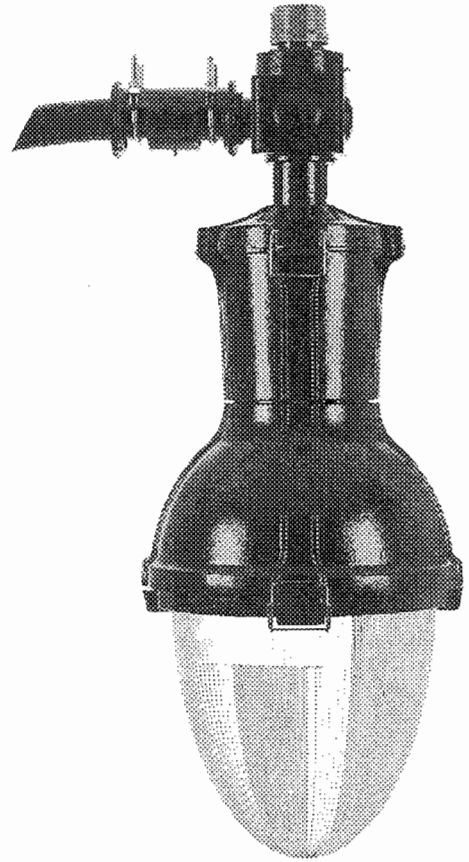
SPRING CITY ELECTRICAL MFG. CO., INC.
 Hall & Main Streets, P. O. Box 19
 Spring City, PA 19475-0019
 Phone: 610-948-4000 Fax: 610-948-5577
 Website: www.springcity.com

SPRING CITY



Columbia Senior 120 Refractive Globe

Weight: 50 Pounds
EPA: 1.28 Sq. Ft.



Columbia Senior 140 Refractive Globe

Weight: 50 Pounds
EPA: 1.44 Sq. Ft.



S P R I N G C I T Y

Electrical Manufacturing Company

P. O. Box 19, Spring City, Pennsylvania 19475

Phone 610-948-4000 **Fax** 610-948-5577

Email info@springcity.com **Web** www.springcity.com